



 **FORNO VENETZIA**
Ignite Your Culinary Passions

Forno Venetia Pronto FVP225-G-P/ FVP235-G-P Propane
Owner's Manual & Assembly Guide

Forno Venetia Pronto Modèle : FVP225-G-P/ FVP235-G-P Propane
Manuel du propriétaire et Guide d'assemblage



Table of Contents / Sommaire

Product Specifications	4
Spécifications du Produit	17

Forno Venetia Pronto FVP225/235-G-P Propane Assembly Guide

Oven Installation	5
Forno Venetia Pronto FVP225/235-G-P Parts List	7
Forno Venetia Pronto FVP225/235-G-P Propane Assembly Guide	9
Connecting the Propane fuel Supply	12
Igniting your oven	14
Storing your oven/maintenance	15

Forno Venetia Pronto FVP225/235-G-P Propane Guide d'assemblage

Installation du four	18
Liste des pièces du Forno Venetia Pronto FVP225/235-G-P	21
Guide d'assemblage Série Pronto FVP225/235-G-P Propane	23
Raccordement à l'alimentation en propane	27
Allumage du four	29
Entreposer votre four/entretien	30



IF YOU SMELL GAS:

- 1 – Shut off the gas supply to the appliance at its source.
- 2 – Extinguish any fire or flames
- 3 – Open oven door to release any accumulation of gas vapor.
- 4 – Check all gas connections by covering each connection with some water mixed with a mild soap and check for any bubbles.
- 5 – If a gas odor persists, Keep away from your appliance and contact your gas supplier or fire department immediately

Failure to follow these instructions could result in fire or explosion which could cause property damage, personal injury, or death.



- 1 –Never operate this appliance unattended.
- 2 – If a fire should occur,keep away from the appliance and immediately call your fire department. Do not attempt to extinguish an oil or a grease fire with water.

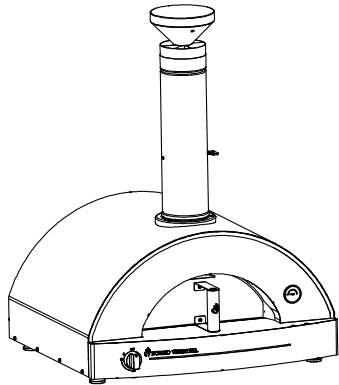
Failure to follow these instructions could result in fire or explosion which could cause property damage, personal injury, or death.

This instruction manual contains important information necessary for the proper assembly and safe use of the appliance.

Read and follow all warnings and instructions before assembling and using the appliance.

Follow all warnings and instructions when using the appliance.

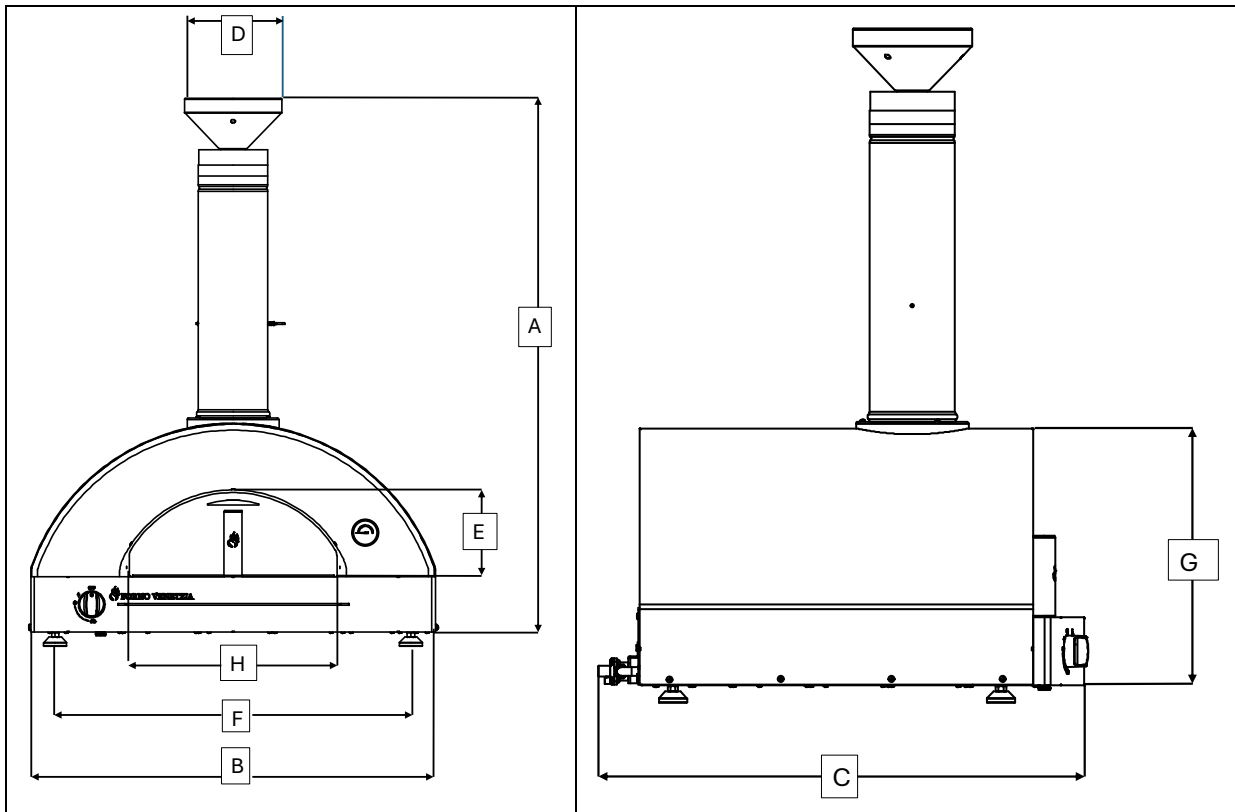
Keep this manual for future reference.



FORNO VENETZIA
Pronto Series

FVP225/235-G-P

Product Specifications



A	45.67" / 116cm	E	7.22" / 18.35cm
B	34.86" / 88.55cm	F	30.55" / 77.6cm
C	34.02" / 86.4cm	G	17.89" / 45.45cm
D	8.37" / 21.25cm	H	30.55" / 77.6cm

Product Weight	247Lbs / 112Kg	Pizza Capacity	2
Cooking surface	19.88" x 23.86" 50.5 x 60.6 cm	Max. oven temperature	Approx. 850 °F / 450 °C
Heating time	20 – 25 min	BTU output	43,500 BTU's

Shipping Dimensions	41" L x 36" W x 28" H 104.5 L x 91.5 W x 71.25 H cm	Shipping Weight	300 Lbs / 136 Kg
---------------------	--	-----------------	------------------

OVEN INSTALLATION

This oven must be installed in accordance with all local codes. If installation is planned in an area with no local codes, the oven must be installed in accordance with the National Fuel Gas Code ANSI Z223.1 and storage and handling of liquefied petroleum gases, ANSI/NFPA 58 or CSA B149.1 natural gas and propane installation code.



WARNING

- This oven shall be used only outdoors and shall not be used in a building, garage, or any other enclosed area;
- This oven is not intended to be installed in or on a boat.
- This oven shall not be located or used under overhead unprotected combustible construction.

An appliance is considered to be outdoors if installed with shelter no more inclusive than with walls on three sides, but with no overhead cover; all openings shall be permanently open; sliding doors, garage doors, windows, or screened openings are not considered as permanent openings.

An appliance is considered to be outdoors if installed with shelter no more inclusive than within a partial enclosure that includes an overhead cover and no more than two sidewalls. The sidewalls may be parallel, as in a breezeway, or at right angles to each other; all openings shall be permanently open; sliding doors, garage doors, windows, or screened openings are not considered as permanent openings .

An appliance is considered to be outdoors if installed with shelter no more inclusive than within a partial enclosure that includes an overhead cover and three sidewalls, as long as 30% or more of the horizontal periphery of the enclosure is permanently open; all openings shall be permanently open; sliding doors, garage doors, windows, or screened openings are not considered as permanent openings.

CALIFORNIA PROPOSITION 65 WARNING

The burning of gas cooking fuel generates some by-products which are on the list of substances which are known by the State of California to cause cancer or reproductive harm. California law requires businesses to warn customers of potential exposure to such substances. To minimize exposure to these substances, always operate the unit according to the use and care manual, ensuring you provide good ventilation when cooking.



WARNING

Improper installation, adjustment, alteration, service or maintenance can cause injury or property damage. Read the installation, operating and maintenance instructions thoroughly before installing or servicing this equipment.



WARNING EXPLOSION HAZARD

Do not use the oven as a storage area for flammable materials. Keep area clear and free from combustible materials, gasoline, and other flammable vapors and liquids. Failure to do so can result in fire, explosion, serious injury or even death.

Flammable materials should not be present within approximately 1m of the back or sides of the oven.



WARNING

This appliance is not intended for commercial use.

The use of alcohol, prescription, or non-prescription drugs could impair the consumer's ability to properly assemble or safely operate the appliance.

Do not leave the appliance unattended. Keep children and pets away from the appliance at all times.

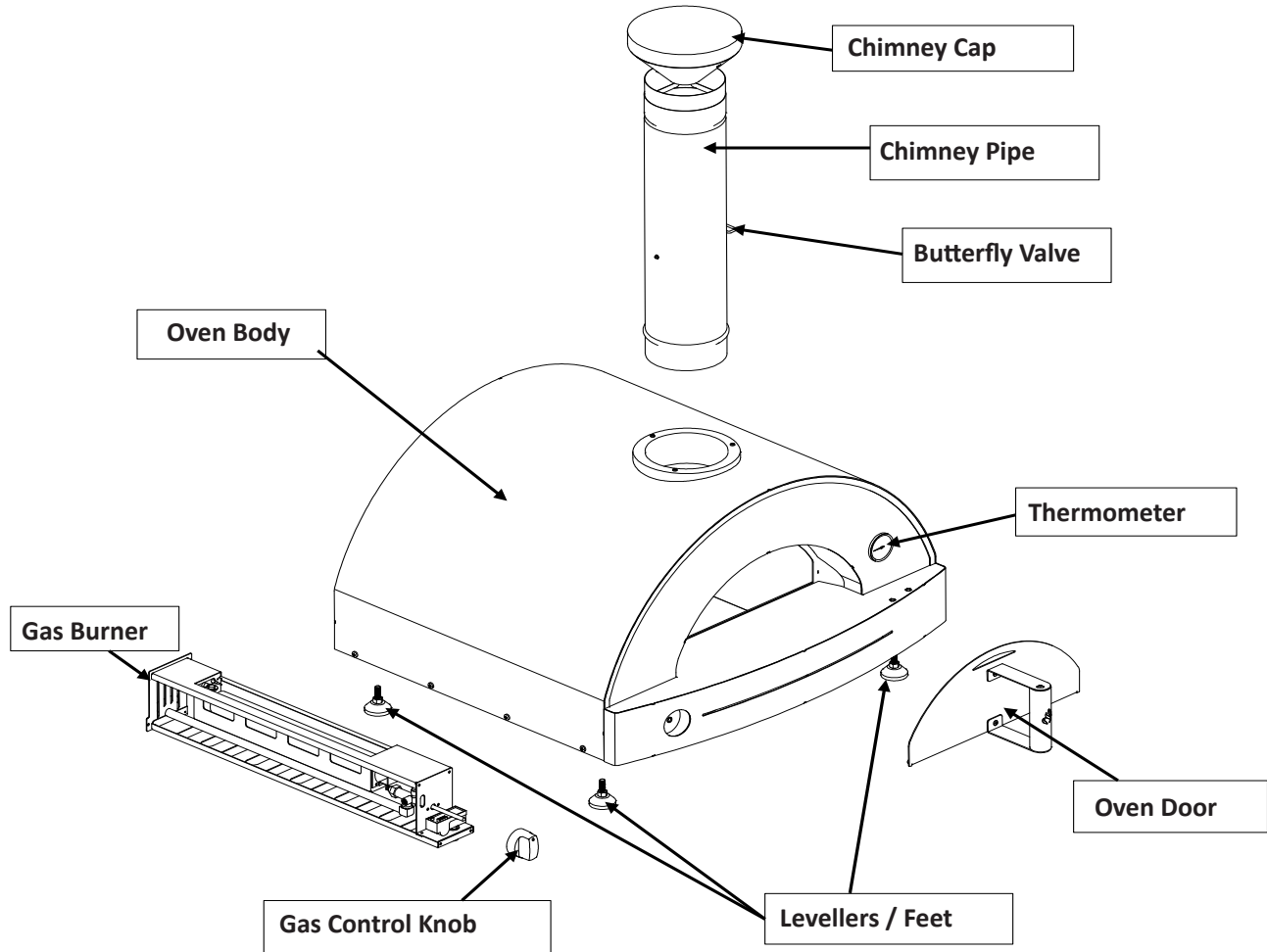
This appliance is not intended for and should never be used as a heater.

This appliance will be hot during and after use. Use insulated oven mitts or gloves for protection from hot surfaces or splatter from cooking liquids.

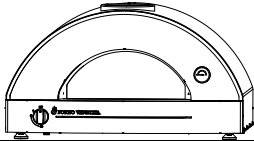
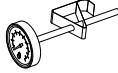
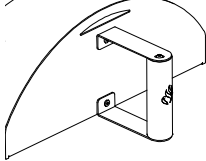

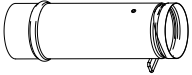

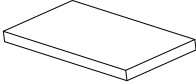

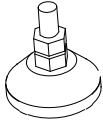
Minimum ambient operating temperature: 0°F(-18° C).



The appliance and its individual shutoff valve shall be disconnected from the gas supply piping system during any pressure testing of that system at test pressures in excess of 1/2 psi (3.5 kPa).

Forno Venetia Pronto FVP225/235-G-P Parts List





Part #	Part Name	Part Image	Qty
1	Main Oven Body		1
2	Thermometer		1
3	Door		1
4	Chimney Cap		1
5	Chimney Pipe		1
6	Propane Hose		1
7	Refractory Bricks		5
8	Gas Control Knob		1
9	Feet / Levelers		4

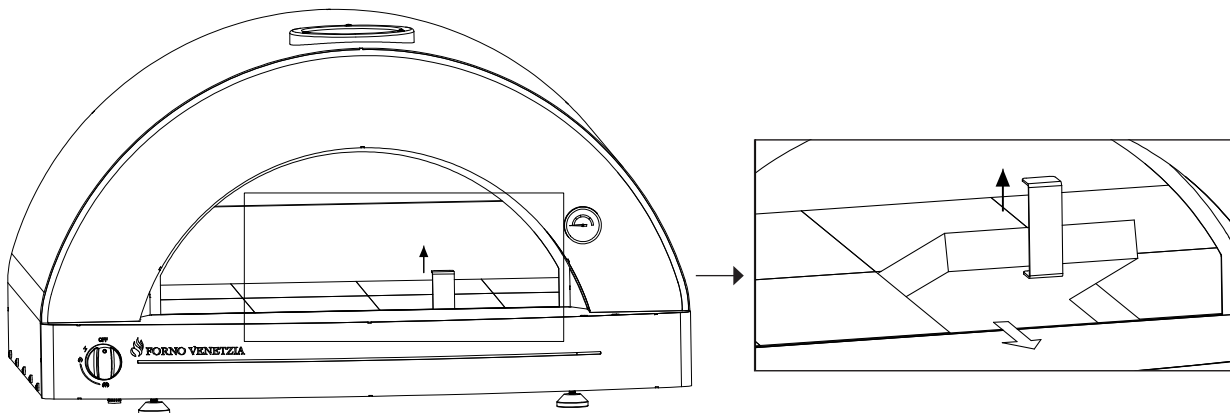
Part #	Part Name	Part Image	Qty
10	Allen Key Wrench		1
11	Multifunction Wrench		1

1. Carefully unpack the oven and all other contents found inside the box taking care not to scratch the various parts. Do not dispose of the polystyrene as you will need this during assembly to avoid scratching the oven and parts.

2. Next, ensure you have all the necessary parts and components.

3. Position the polystyrene packaging on the floor and place the parts on it to avoid scratches
****CAUTION – AS THE OVEN IS HEAVY SOME STEPS REQUIRE TWO PEOPLE TO PERFORM THE ASSEMBLY****

4. Carefully remove the bricks from the inside of the oven using the metal tab at the front of the oven to lift out the first brick. Save the metal tab and re-insert the tab when replacing the bricks. This will make it lighter and easier to move. Handle the bricks with care as they are fragile.

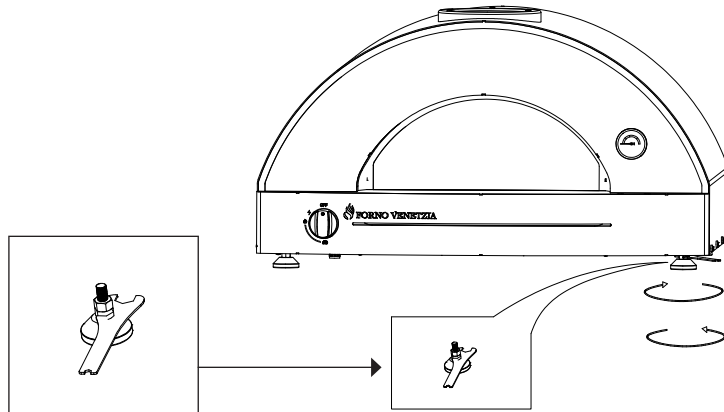


5. Ensure the construction of your outdoor kitchen or BBQ island counter is well built and strong enough to support the weight of the oven.

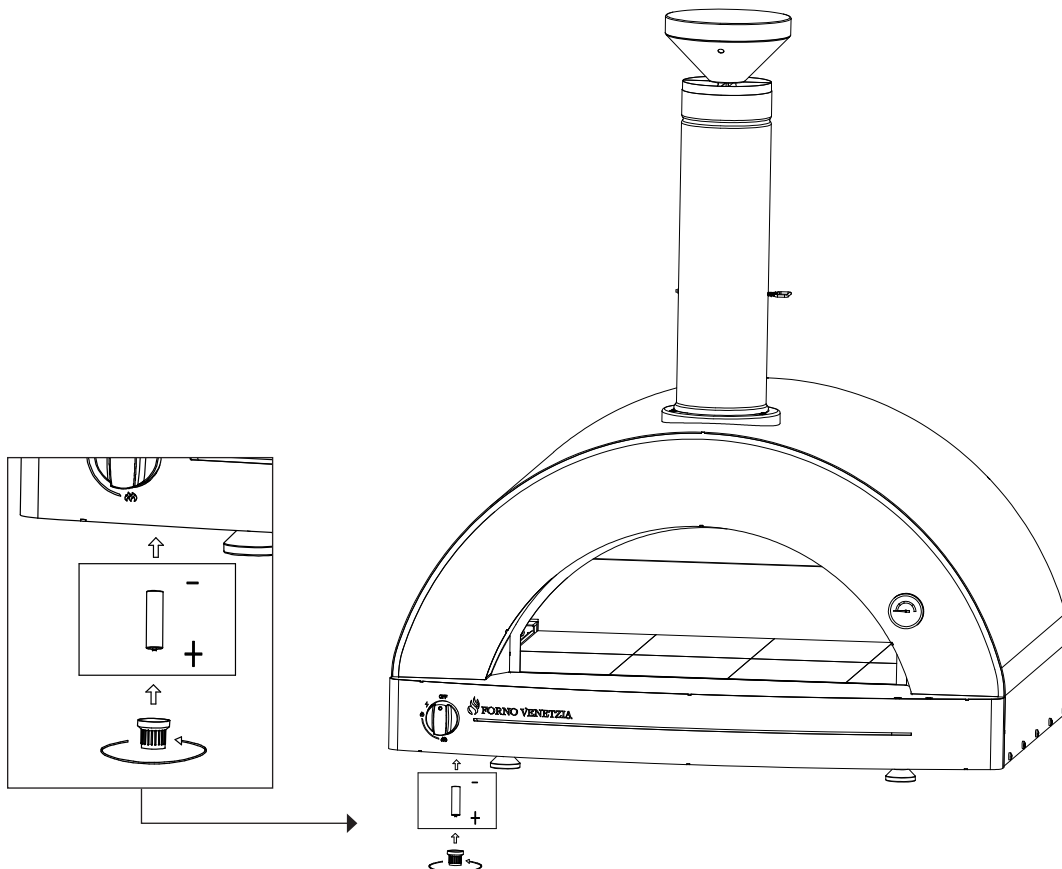


6. Ensure the countertop of your outdoor kitchen or BBQ island is made of a non-combustible heat-resistant material that can withstand high temperatures. While the underneath of the oven hearth is insulated, this area can get hot. Consult the countertop Manufacturer's User's Manual for additional information.

7. Attach the 4 levelers / feet into the threaded screw holes (Use Multi-purpose open end wrench, to tighten feet) on the bottom of the oven. These are located toward each corner of the oven.

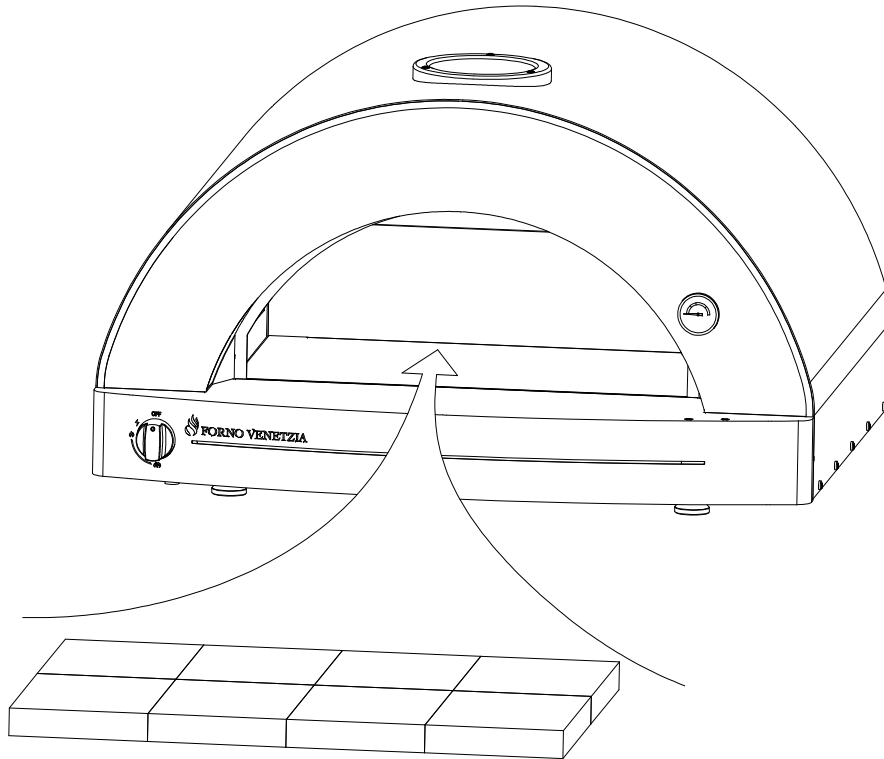


8. Insert the positive end of a "AAA" battery (not included) into the threaded battery cover found on the bottom of the oven and insert the battery and cover up into the gas burner assembly ignition.



9. With the help of an assistant, position the oven on the countertop of your outdoor kitchen or BBQ Island. This area should be level and away from combustible materials.

10. Carefully replace the refractory bricks back inside the oven. Be sure to replace the metal tab for the next time the bricks have to be removed.



Connecting the Propane fuel supply



The black hose, included with the oven, is used for Propane. Always inspect the gas hose before each use. Check to ensure there is no debris in either connections as well as cracks or signs of abrasion, wear, cuts or leaks. Replace if necessary.

Keep the fuel supply hose away from any heated surface(s).



- NOTE: If replacement pressure regulator and or hose assemblies are necessary, use only those that meet the manufacturer's specifications below:

LPG Regulator outlet pressure – 2.74Kpa

Hose – 3/8" (160 cm length)

11. Use the correct PTFE gas sealing tape on all threaded gas connections.



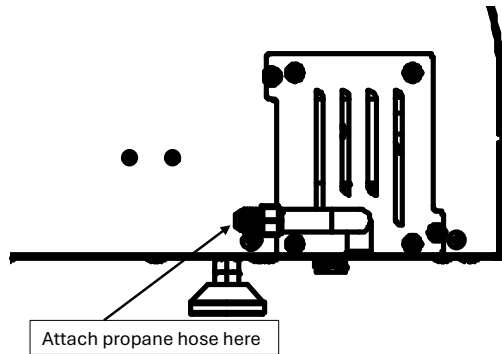
12. Attach propane hose.

Attach this end to the gas burner fuel intake on the back of the oven.



Attach this end to the propane tank.

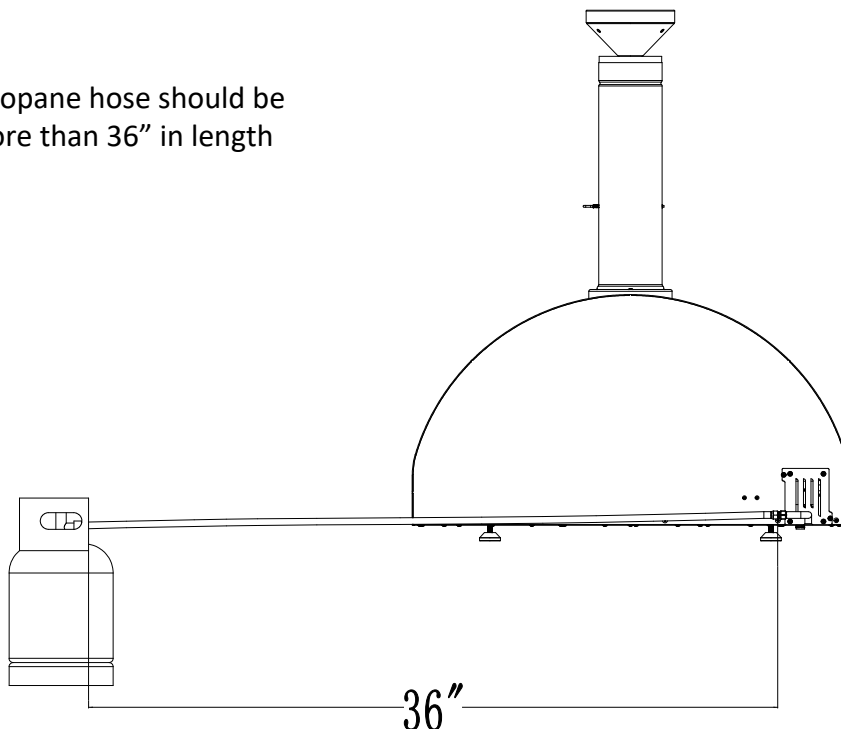
13. Attach the end of the gas hose with the nut to the gas burner fuel intake on the back of the oven and tighten with the wrench provided.



14. Attach the other end of the gas hose with the large plastic connector to your propane tank as illustrated. Hand tighten only. (Note: Turn counter clock wise to attach and tighten this connection)



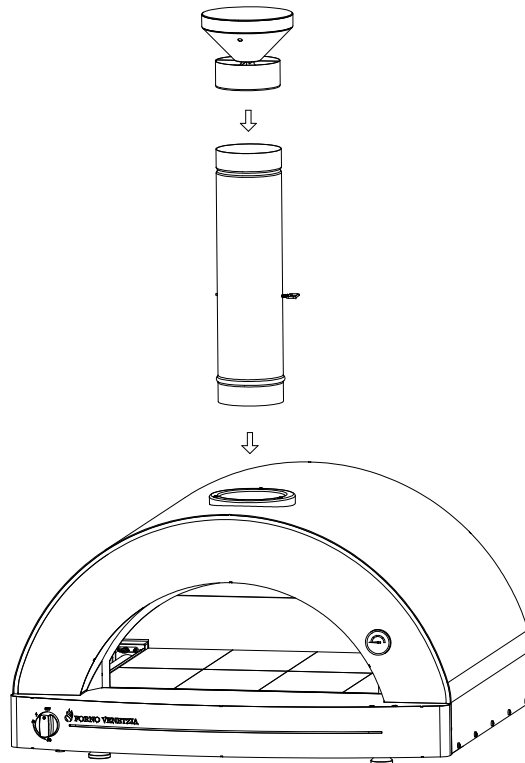
15. The propane hose should be no more than 36" in length



GAS LEAKS CAN RESULT IN FIRE AND EXPLOSION AND CAUSE SERIOUS PERSONAL INJURY OR DEATH AND PROPERTY DAMAGE – ALWAYS USE CAUTION

16. Check all gas connections by covering each connection with some water mixed with a mild soap and check for any bubbles.

17. Insert the chimney pipe and cap into the flue opening on the top of the oven. Ensure it is completely in place and straight.



18. Place the oven door on the oven.

Igniting your oven...

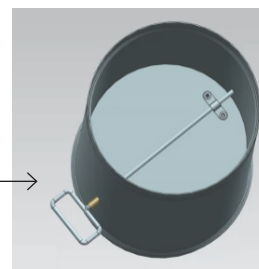


CAUTION! Unlike a gas grill that is open on the top and allows any gas build up to easily escape, an oven is more enclosed. As a result, the gas can build up if not ignited right away. If the oven does not ignite within 5 seconds after three attempts, turn the gas off and wait for 5 minutes to allow the gas to dissipate, before attempting to start the oven again.




CAUTION! Always stand a safe distance away and to the side of the oven when lighting the oven. Do not lean in toward the oven when igniting the oven in case of flare up.

1. Remove the oven door entirely before lighting the oven.
2. Ensure the baffle in the chimney pipe is in the closed position as shown in the illustration.





3. Ensure the burner control knob on the oven is set to the “OFF” position before opening the gas valve on the Natural Gas line.
4. Open the gas valve on the Natural Gas line.
5. Push in the gas burner control knob and **hold in** while turning counterclockwise to the “” Position and wait for the pilot light to ignite.



NOTE: It may require 2 - 3 minutes to ignite the pilot after turning on the gas line.

6. Continue to hold in the gas burner control knob for a few more seconds to ensure the pilot light remains lit. Then release the gas burner control knob.
7. Turn the gas burner control knob counterclockwise to ignite the main burner.
8. If the main burner is not lit within 5 seconds, or the burner flame is accidentally extinguished, turn off the gas knob, remove the oven door and wait 5 minutes for any residual gas to disperse. Repeat the ignition process starting at step 5.
9. Once the gas burner has been light, leave the gas control knob on “High” and close the oven door and wait 20~40min to preheat the oven and the refractory bricks.



NOTE: The amount of time required to preheat your oven will vary depending on the outdoor temperatures and wind conditions.

10. When the oven and refractory bricks are thoroughly heated, adjust the gas control knob accordingly to achieve the desired temperature. Your oven is now ready to cook.



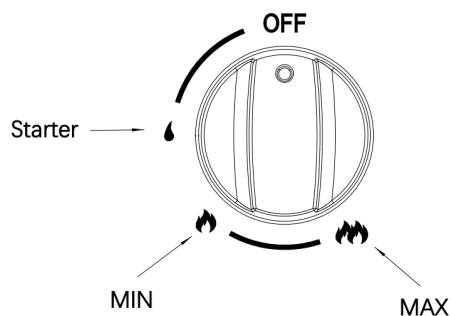
WARNING

Never allow the temperature to exceed 850 ° F. Exceeding the maximum recommended temperature of 850° F can cause extreme stress to the oven and the inner dome. This can result in damage to the oven which is not covered by the Manufacturer’s Warranty.

If the inner dome above the gas burner begins to turn bright red, this indicates the temperature has exceeded the maximum recommended temperature. If this happens, extinguish the gas burner immediately and allow the oven to cool.

Exceeding the maximum recommended temperature may trigger the Flame-Out protection function which will extinguish the burner. If this happens, allow the oven to cool before re-igniting the gas burner.

11. To turn the oven off, simply turn the gas control knob to the "OFF" position. Check to ensure that the main flame and the pilot are out.



12. Turn off the gas supply line, at the source where it attaches to the gas hose that came with your oven.

Storing your oven....

1. Sweep oven hearth clean to remove any debris.
2. While you can use your Forno Venetia Pronto 225/235-G-P all year, if you do not plan on using it during the winter season follow the steps below.
3. Carefully remove the chimney cap and then the chimney pipe. Take care as the chimney cap may have some soot around the edges of the top of the cap.
4. Carefully store the chimney cap and pipe inside the oven chamber and replace the door.
5. Cover the oven with the Forno Venetia Pronto FVP225/235-G cover (item # FVACOV___).

Maintenance

1. Keeping appliance area clear and free from combustible materials, gasoline, and other flammable vapours and liquids.
2. Do not obstruct the flow of combustion and ventilation air.
3. Checking and cleaning burner/venturi tubes for insects and insect nests. A clogged tube can lead to a fire beneath the appliance.

ATTENTION INSTALLER:

PLEASE LEAVE THESE INSTRUCTIONS WITH THE CONSUMER.

ATTENTION CONSUMER:

PLEASE READ & RETAIN THESE INSTRUCTIONS FOR FUTURE REFERENCE AND BEFORE INSTALLING OR OPERATING.

Forno Venetia™ is a Registered Trademarks of Forno Venetia Corporation



DANGER

SI VOUS SENTEZ UNE ODEUR DE GAZ :

- 1 – Fermez l'alimentation en gaz de l'appareil à la source.
- 2 – Éteignez toute flamme ou tout foyer d'incendie.
- 3 – Ouvrez la porte du four afin de libérer toute accumulation de vapeurs de gaz.
- 4 – Vérifiez toutes les connexions de gaz en les recouvrant d'un mélange d'eau et de savon doux, puis observez si des bulles se forment.
- 5 – Si l'odeur de gaz persiste, éloignez-vous de l'appareil et communiquez immédiatement avec votre fournisseur de gaz ou avec le service d'incendie.

Le non-respect de ces consignes pourrait entraîner un incendie ou une explosion et causer des dommages matériels, des blessures graves ou la mort.



DANGER

- 1 – Ne laissez jamais cet appareil fonctionner sans surveillance.
- 2 – En cas d'incendie, éloignez-vous de l'appareil et communiquez immédiatement avec votre service d'incendie. N'essayez jamais d'éteindre un feu d'huile ou de graisse avec de l'eau.

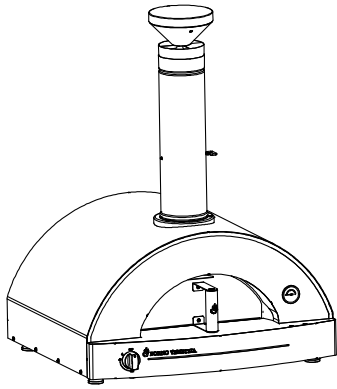
Le non-respect de ces consignes pourrait entraîner un incendie ou une explosion et causer

Ce manuel d'instructions contient des renseignements importants pour l'assemblage adéquat et l'utilisation sécuritaire de l'appareil.

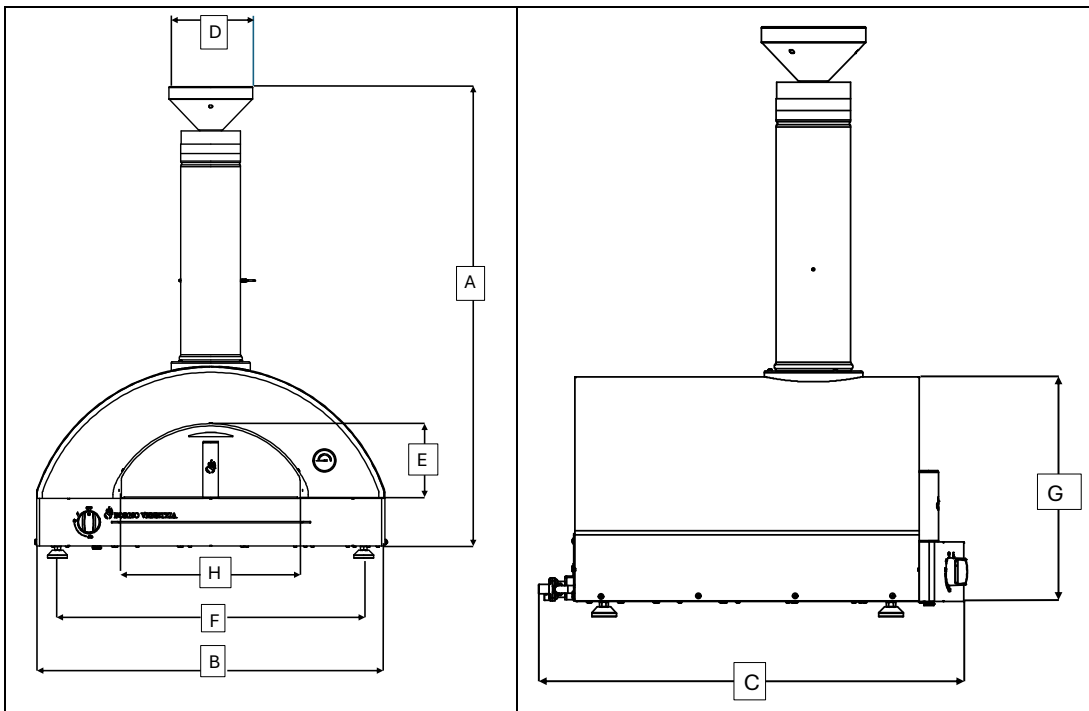
Lisez et suivez tous les avertissements et toutes les instructions avant d'assembler et d'utiliser l'appareil.

Respectez tous les avertissements et toutes les instructions lors de l'utilisation de l'appareil.

Conservez ce manuel pour référence ultérieure.



Spécifications du Produit



A	44.45" / 112.9cm	E	7.22" / 18.35cm
B	34.86" / 88.55cm	F	30.55" / 77.6cm
C	34.02" / 86.4cm	G	17.89" / 45.45cm
D	8.37" / 21.25cm	H	17.83" / 45.28cm

Poids du produit	247lbs / 112Kg	Capacité de pizza	2
Surface de cuisson	19.88" x 23.86" 50.5 x 60.6 cm	température maximale du four	Approx. 850 °F / 450 °C
Temps de chauffage	20 – 25 min	Puissance calorifique en BTU	43,500 BTU's

Dimensions d'expédition	41" L x 36" W x 28" H 104.5 L x 91.5 W x 71.25 H cm	Poids d'expédition	300 Lbs / 136 Kg
--------------------------------	--	---------------------------	------------------



INSTALLATION DU FOUR

Ce four doit être installé conformément à tous les codes locaux en vigueur.

S'il est installé dans un endroit où aucun code local n'est en place, il doit l'être conformément au National Fuel Gas Code ANSI Z223.1 ainsi qu'aux normes relatives à l'entreposage et à la manipulation des gaz de pétrole liquéfiés, ANSI/NFPA 58, ou encore au code d'installation du gaz naturel et du propane CSA B149.1.



AVERTISSEMENT

- Ce four doit être utilisé uniquement à l'extérieur et ne doit pas être employé dans un bâtiment, un garage ou tout autre endroit fermé.
- Ce four n'est pas conçu pour être installé dans ou sur une embarcation.
- Ce four ne doit pas être placé ni utilisé sous une structure combustible non protégée située en hauteur.

Un appareil est considéré comme étant installé à l'extérieur s'il est placé sous un abri comportant des parois sur trois côtés au maximum, sans couverture au-dessus; toutes les ouvertures doivent être permanentes. Les portes coulissantes, portes de garage, fenêtres ou ouvertures munies de moustiquaires ne sont pas considérées comme des ouvertures permanentes.

Un appareil est considéré comme étant installé à l'extérieur s'il est placé sous un abri partiel comprenant une couverture au-dessus et au plus deux parois latérales. Les parois peuvent être parallèles, comme dans un passage couvert, ou perpendiculaires l'une à l'autre; toutes les ouvertures doivent être permanentes. Les portes coulissantes, portes de garage, fenêtres ou ouvertures munies de moustiquaires ne sont pas considérées comme des ouvertures permanentes.

Un appareil est considéré comme étant installé à l'extérieur s'il est placé sous un abri partiel comprenant une couverture au-dessus et trois parois latérales, pourvu qu'au moins 30 % de la périphérie horizontale de l'enceinte soit ouverte de façon permanente; toutes les ouvertures doivent être permanentes. Les portes coulissantes, portes de garage, fenêtres ou ouvertures munies de moustiquaires ne sont pas considérées comme des ouvertures permanentes.

AVERTISSEMENT – PROPOSITION 65 DE LA CALIFORNIE

La combustion du gaz utilisé pour la cuisson génère certains sous-produits figurant sur la liste des substances reconnues par l'État de la Californie comme pouvant causer le cancer ou des effets néfastes sur la reproduction. La loi californienne exige que les entreprises avertissent leurs clients de toute exposition potentielle à ces substances. Pour réduire au minimum votre exposition, utilisez toujours l'appareil conformément au manuel d'utilisation et d'entretien, en veillant à assurer une bonne ventilation lors de la cuisson.



AVERTISSEMENT

Une installation, un réglage, une modification, un entretien ou un service inadéquat peut entraîner des blessures ou des dommages matériels. Lisez attentivement les instructions d'installation, d'utilisation et d'entretien avant d'installer ou d'entretenir cet équipement.



AVERTISSEMENT

RISQUE D'EXPLOSION

Ne vous servez pas du four comme espace d'entreposage pour des matériaux inflammables. Gardez la zone dégagée et exempte de matériaux combustibles, d'essence ou de toute autre vapeur ou liquide inflammable. Le non-respect de cette consigne peut entraîner un incendie, une explosion, des blessures graves ou même la mort.

Aucun matériau inflammable ne doit se trouver à moins d'environ 1 mètre à l'arrière ou sur les côtés du four.



AVERTISSEMENT

Cet appareil n'est pas destiné à un usage commercial.

La consommation d'alcool, de médicaments prescrits ou non prescrits peut nuire à la capacité de l'utilisateur d'assembler correctement l'appareil ou de l'utiliser en toute sécurité.

Ne laissez jamais l'appareil sans surveillance. Gardez les enfants et les animaux de compagnie à l'écart en tout temps.

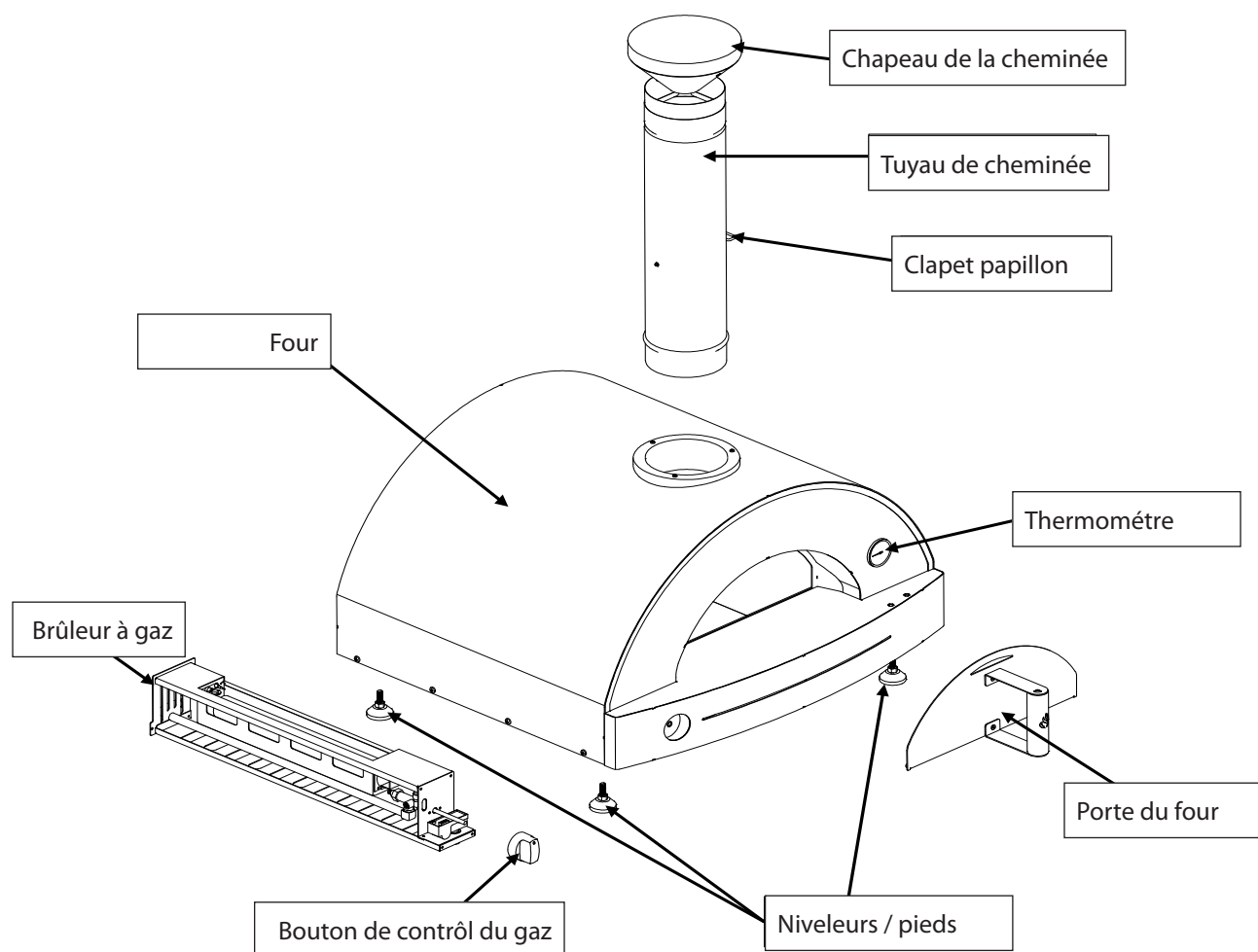
Cet appareil n'est pas conçu pour servir de chauffage et ne doit jamais être utilisé à cette fin.

L'appareil sera chaud durant et après son utilisation. Utilisez des mitaines isolantes ou des gants de protection pour éviter les brûlures causées par les surfaces chaudes ou par les éclaboussures de liquides de cuisson.

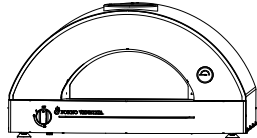
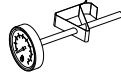
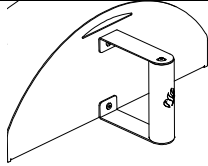
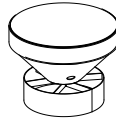
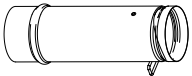

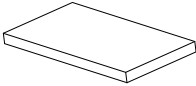

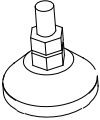
Température ambiante minimale de fonctionnement : 0 °F (-18 °C).



L'appareil et son robinet d'arrêt doivent être déconnectés du système d'alimentation en gaz lors de tout essai de pression effectué à une pression supérieure à 1/2 psi (3,5 kPa).

Liste des pièces du Forno Venezia Pronto 225/235-G-P

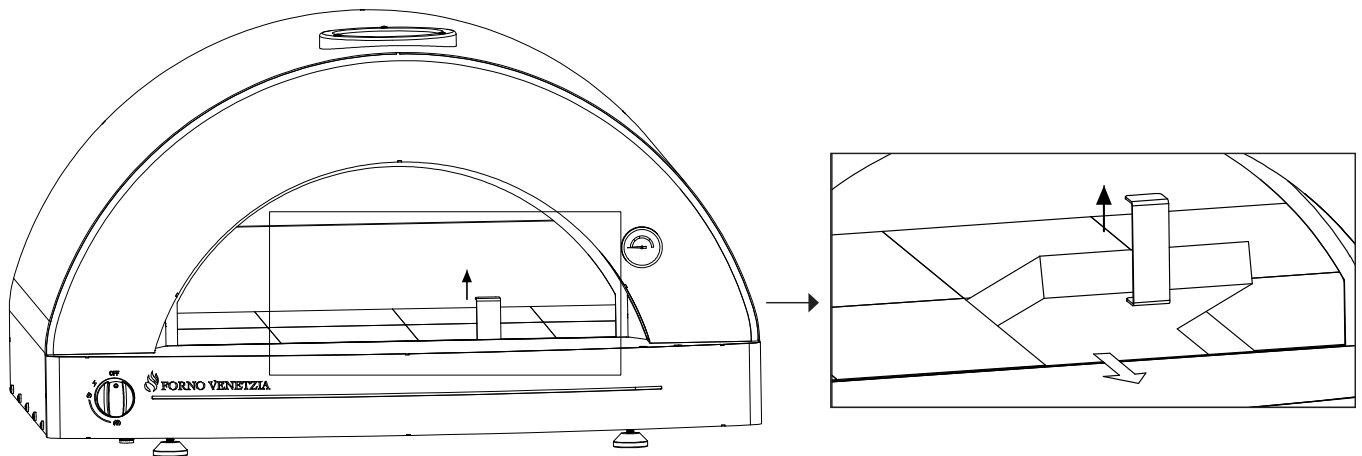




Partie #	Nom de la pièce	Image de la pièce	Qté
1	Corps principal du four		1
2	Thermomètre		1
3	Porte		1
4	Chapeau de la cheminée		1
5	Tuyau de la cheminée		1
6	Tuyau de propane		1
7	Briques réfractaires		5
8	Bouton de contrôle du gaz		1
9	Pieds / Niveleurs		4

Partie #	Nom de la pièce	Image de la pièce	Qté
10	Clé Allen		1
11	Clé multifonction		1

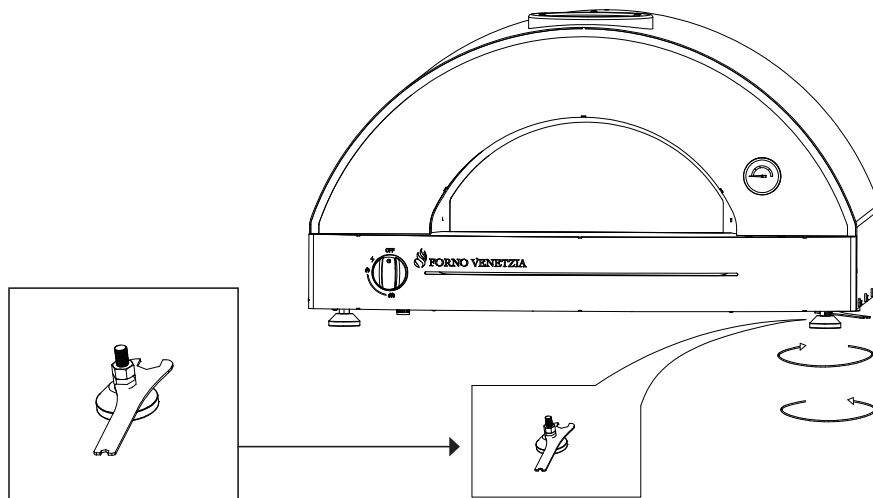
1. Déballez soigneusement le four et tous les autres éléments contenus dans la boîte, en prenant soin de ne pas rayer les différentes pièces. Ne jetez pas le polystyrène, car vous en aurez besoin durant l'assemblage pour éviter d'endommager le four et ses composants.
2. Assurez-vous ensuite d'avoir toutes les pièces et composantes nécessaires.
3. Placez l'emballage en polystyrène au sol et déposez-y les pièces afin d'éviter les égratignures.
****ATTENTION – COMME LE FOUR EST LOURD, CERTAINES ÉTAPES D'ASSEMBLAGE DOIVENT ÊTRE RÉALISÉES PAR DEUX PERSONNES**.**
4. Retirez soigneusement les briques à l'intérieur du four en utilisant la languette métallique située à l'avant pour soulever la première brique. Conservez la languette et réinstallez-la lorsque vous remettrez les briques en place. Cela réduira le poids et facilitera les manipulations. Manipulez les briques avec précaution, car elles sont fragiles.



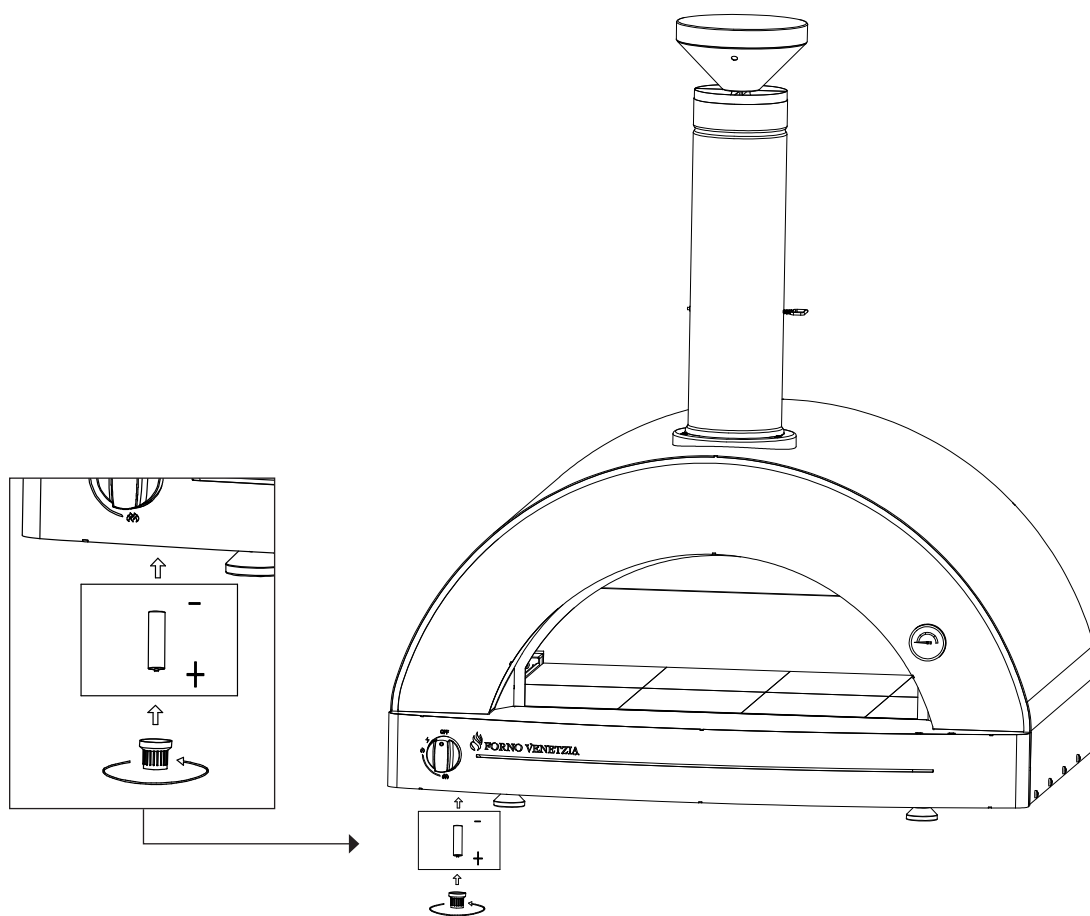
5. Assurez-vous que la structure de votre cuisine extérieure ou de votre îlot BBQ soit bien construite et suffisamment solide pour supporter le poids du four.

6. Assurez-vous que le comptoir de votre cuisine extérieure ou îlot BBQ soit fait d'un matériau incombustible et résistant à la chaleur, capable de supporter des températures élevées. Bien que la base du four soit isolée, cette zone peut devenir chaude. Consultez le manuel du fabricant du comptoir pour plus de renseignements.

7. Vissez les 4 niveleurs / pieds dans les trous filetés situés sous le four (utilisez une clé multiprise ou une clé à fourche pour serrer les pieds). Ces trous sont placés près de chaque coin du four.

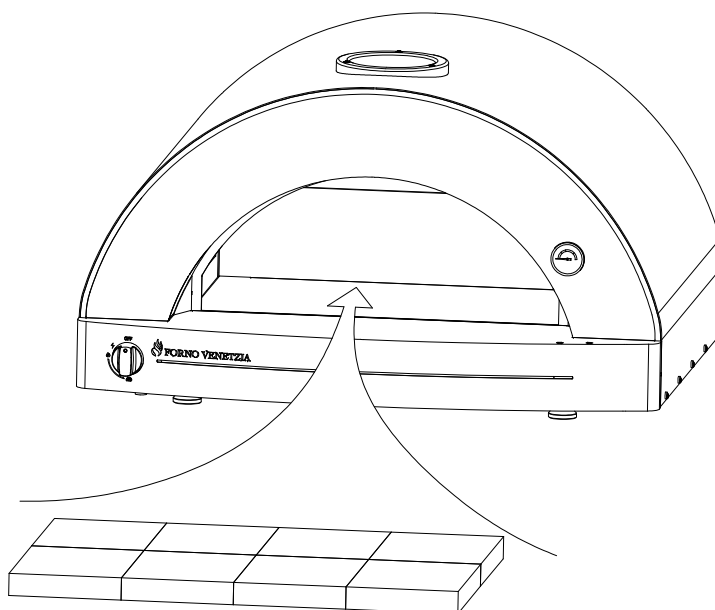


8. Insérez l'extrémité positive d'une pile « AAA » (non incluse) dans le couvercle fileté du compartiment à pile situé sous le four, puis insérez la pile et revissez le couvercle dans l'allumeur du brûleur à gaz.



9. Avec l'aide d'une deuxième personne, positionnez le four sur le comptoir de votre cuisine extérieure ou de votre îlot BBQ. Cette surface doit être de niveau et éloignée de tout matériau combustible.

10. Remplacez soigneusement les briques réfractaires à l'intérieur du four. Assurez-vous de remettre la languette métallique pour faciliter le prochain retrait des briques.





Raccordement à l'alimentation en propane



Le tuyau noir fourni avec le four est utilisé pour le propane. Inspectez toujours le tuyau de gaz avant chaque utilisation. Vérifiez qu'aucun débris ne se trouve dans les raccords et assurez-vous qu'il n'y a aucune fissure, abrasion, usure, coupure ou fuite. Remplacez-le au besoin.

Gardez le tuyau d'alimentation en carburant éloigné de toute surface chauffée.



- REMARQUE : Si un régulateur de pression ou un ensemble de tuyaux de remplacement est nécessaire, utilisez uniquement des pièces conformes aux spécifications du fabricant indiquées ci-dessous :

Pression de sortie du régulateur GPL – 2,74 kPa

Tuyau – 3/8 po (160 cm de longueur)

11. Utilisez le ruban d'étanchéité PTFE approprié pour toutes les connexions filetées du système de gaz.

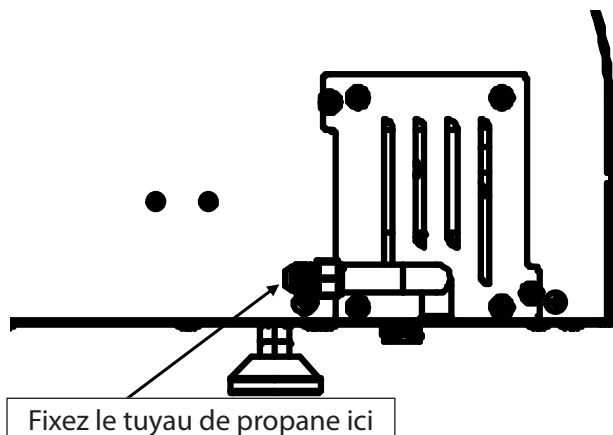
12. Fixez le tuyau de propane.

Fixez cette extrémité à l'entrée d'alimentation en carburant du brûleur à gaz, à l'arrière du four.



Fixez cette extrémité à la bonbonne de propane.

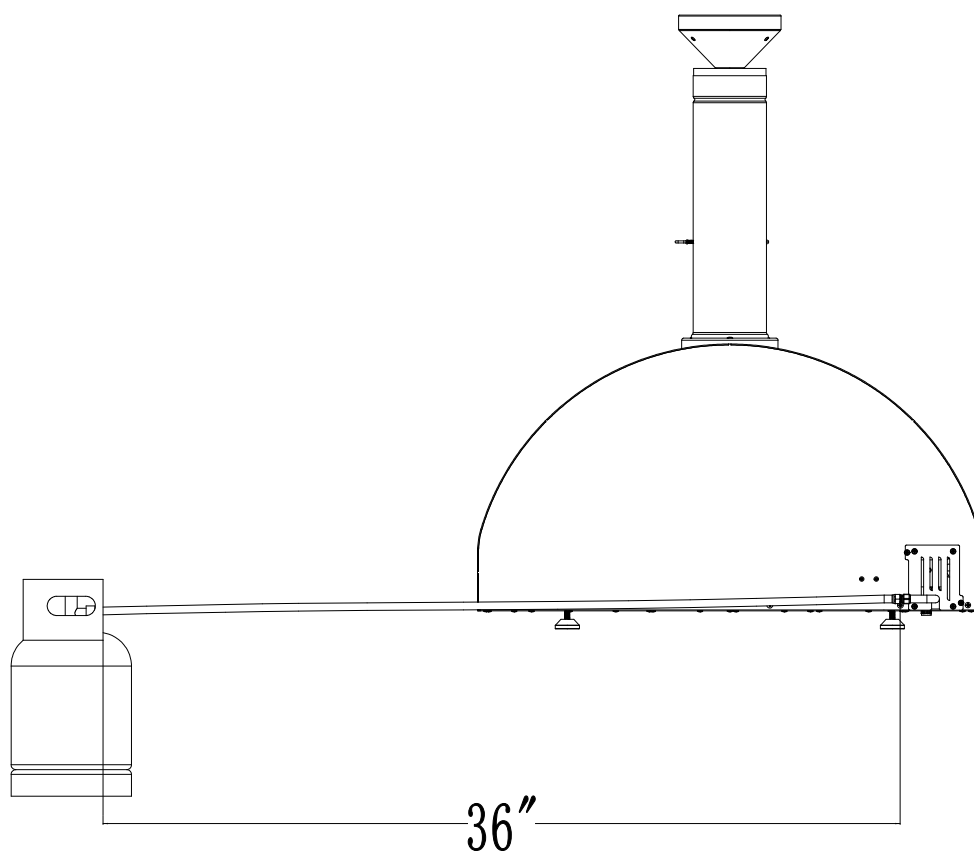
13. Fixez l'extrémité du tuyau de gaz munie de l'écrou à l'entrée d'alimentation du brûleur à l'arrière du four et serrez à l'aide de la clé fournie.



14. Fixez l'autre extrémité du tuyau de gaz, munie du grand connecteur en plastique, à votre bonbonne de propane comme illustré. Serrez uniquement à la main. (Remarque : tournez dans le sens antihoraire pour fixer et serrer cette connexion.)



15. Le tuyau de propane ne doit pas dépasser 36 po de longueur.

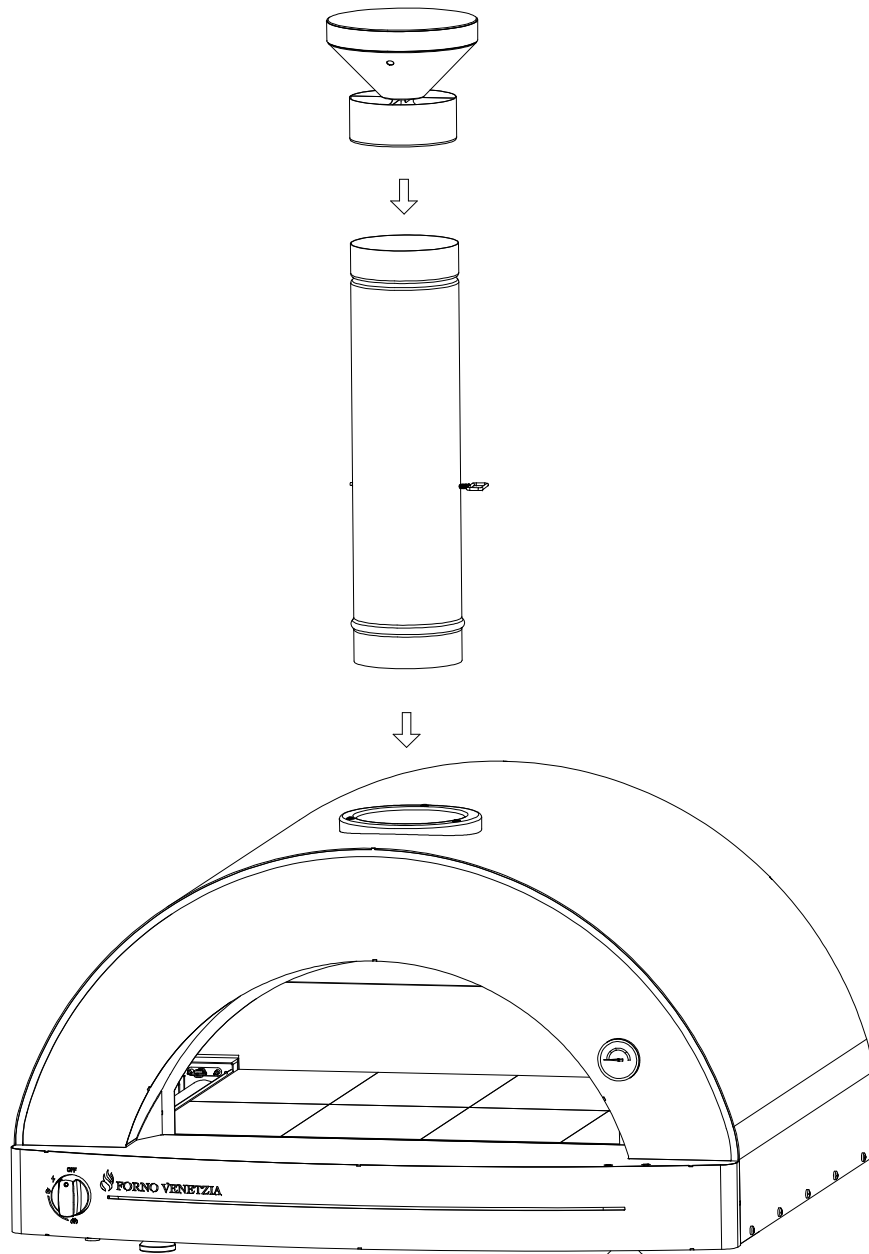


LES FUITES DE GAZ PEUVENT PROVOQUER UN INCENDIE OU UNE EXPLOSION ET ENTRAÎNER DES BLESSURES GRAVES, LA MORT OU DES DOMMAGES MATÉRIELS — FAITES TOUJOURS PREUVE DE PRUDENCE



16. Vérifiez toutes les connexions de gaz en les recouvrant d'un mélange d'eau et de savon doux, puis observez si des bulles se forment.

17. Insérez le tuyau de cheminée et le chapeau dans l'orifice du conduit situé sur le dessus du four. Assurez-vous qu'ils soient bien en place et bien droits.



18. Placez la porte du four sur l'ouverture du four.

Allumage du four...

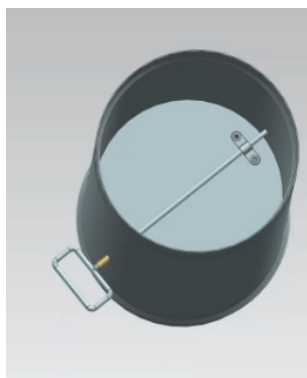


ATTENTION! Contrairement à un barbecue au gaz qui est ouvert sur le dessus et permet au gaz accumulé de s'échapper facilement, un four est davantage fermé. Le gaz peut donc s'accumuler s'il n'est pas allumé immédiatement. Si le four ne s'allume pas dans les 5 secondes après trois tentatives, fermez le gaz et attendez 5 minutes pour permettre au gaz de se dissiper avant d'essayer à nouveau.



ATTENTION! Tenez-vous toujours à une distance sécuritaire et sur le côté du four lors de l'allumage. Ne vous penchez jamais vers l'intérieur du four au moment de l'allumer, en cas de flambée.

1. Retirez complètement la porte du four avant d'allumer l'appareil.
2. Assurez-vous que le déflecteur du conduit de cheminée est en position fermée, tel qu'illustré dans l'illustration ci-dessous.



3. Assurez-vous que le bouton de contrôle du brûleur est en position « OFF » avant d'ouvrir la valve de gaz de la ligne de gaz naturel.
4. Ouvrez la valve de gaz de la ligne de gaz naturel.
5. Enfoncez le bouton de contrôle du brûleur à gaz et **maintenez-le enfoncé** tout en le tournant dans le sens antihoraire jusqu'à l'icône “ ⚡ ” puis attendez que la veilleuse s'allume.



REMARQUE : L'allumage de la veilleuse peut prendre de 2 à 3 minutes après l'ouverture du robinet de gaz.



6. Continuez de maintenir le bouton enfoncé quelques secondes supplémentaires afin de vous assurer que la veilleuse demeure allumée. Ensuite, relâchez le bouton de contrôle du brûleur.
7. Tournez le bouton de contrôle du brûleur à gaz dans le sens antihoraire pour allumer le brûleur principal.
8. Si le brûleur ne s'allume pas dans les 5 secondes, ou si la flamme s'éteint accidentellement, fermez le bouton de gaz, retirez la porte du four et attendez 5 minutes afin que le gaz résiduel se dissipe. Reprenez ensuite la procédure d'allumage à partir de l'étape 5.
9. Une fois le brûleur à gaz allumé, laissez le bouton de commande du gaz sur « Haut », fermez la porte du four et attendez 20 à 40 minutes pour préchauffer le four et les briques réfractaires.



REMARQUE : Le temps nécessaire pour préchauffer votre four variera en fonction des températures extérieures et des conditions de vent.

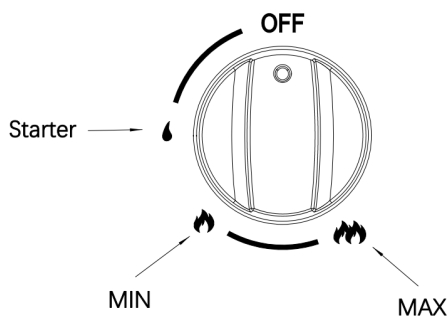
10. Lorsque le four est bien préchauffé, ajustez le bouton de contrôle du gaz afin d'atteindre la température souhaitée. Votre four est maintenant prêt à cuire.



AVERTISSEMENT

- Ne jamais laisser la température dépasser 850 °F (454 °C). Dépasser cette température maximale recommandée peut endommager gravement le four et son dôme intérieur, ce qui n'est pas couvert par la garantie du fabricant.
- Si le dôme intérieur au-dessus du brûleur à gaz devient rouge vif, cela indique que la température a dépassé la température maximale recommandée. Dans ce cas, éteignez immédiatement le brûleur à gaz et laissez le four refroidir.
- Le dépassement de la température maximale recommandée peut déclencher la protection anti-extinction de flamme et éteindre le brûleur. Dans ce cas, laissez le four refroidir avant de rallumer le brûleur à gaz.

11. Pour éteindre le four, tournez simplement le bouton de contrôle du gaz à la position « OFF ». Assurez-vous que la flamme principale et la veilleuse sont bien éteintes.
12. Coupez l'alimentation en gaz à la source, là où elle est raccordée au tuyau fourni avec votre four.



Entreposer votre four....

1. Balayez la sole du four pour enlever tout débris.
2. Bien que vous puissiez utiliser votre Forno Venetia Pronto 225/235-G-P toute l'année, si vous ne prévoyez pas l'utiliser durant la saison hivernale, suivez les étapes ci-dessous.
3. Retirez soigneusement le chapeau de cheminée, puis le tuyau de cheminée. Manipulez-les avec prudence, car le chapeau peut comporter de la suie autour de ses bords.
4. Rangez délicatement le chapeau de cheminée et le tuyau à l'intérieur de la chambre du four, puis remettez la porte en place.
5. Couvrez le four avec la housse Forno Venetia Pronto FVP225/235-G.

Entretien

1. Gardez la zone autour de l'appareil dégagée et libre de matériaux combustibles, d'essence ou de toute autre vapeur ou liquide inflammable.
2. N'obstruez jamais la circulation de l'air de combustion et de ventilation.
3. Inspectez et nettoyez les tubes du brûleur/venturi pour y retirer les insectes et leurs nids. Un tube obstrué peut provoquer un feu sous l'appareil.

ATTENTION INSTALLATEUR :

LAISSER CES INSTRUCTIONS AU CONSOMMATEUR.

ATTENTION CONSOMMATEUR :

VEUILLEZ LIRE ET CONSERVER CES INSTRUCTIONS POUR RÉFÉRENCE ULTÉRIEURE ET AVANT D'INSTALLER OU D'UTILISER L'APPAREIL.



 **FORNO VENETZIA**
Ignite Your Culinary Passions

Forno Venetia Corporation
Address/Adresse : 701 Rossland Road East, Suite 453, Whitby ON
Canada L1N 9K

www.fornovenetzia.com
email: info@fornovenetzia.com